

<R42-289-0>

Service Manual

SPEAKER SYSTEM

CS-R300

PIONEER®

<72H02M01K>

1. CS-R300

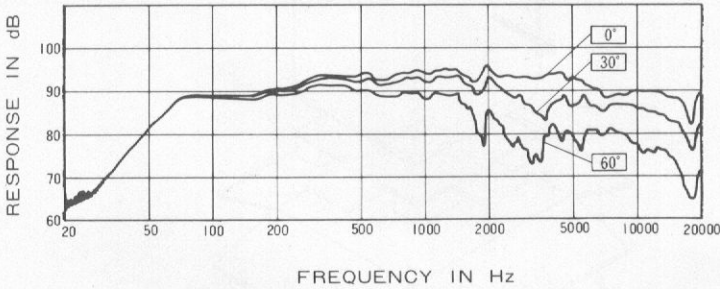
1.1 SPECIFICATIONS

| | |
|---------------------|--|
| Enclosure | Bass-reflex type |
| System | 2-way 2-speaker system |
| Speakers; | |
| Woofer | 25cm (10 in.) cone type |
| Tweeter | Horn type |
| Frequency Range | 45Hz to 20,000Hz |
| Input Impedance | 8 Ω |
| Sensitivity | 92dB/W at 1 m distance |
| Max. Input Power | 40W |
| Crossover Frequency | 4,200Hz |
| External Dimensions | 330(W) x 570(H) x 268(D) mm 13(W) x 22-7/16(H) x 10-9/16(D) in. |
| Weight | 12kg (26lb 7oz) |

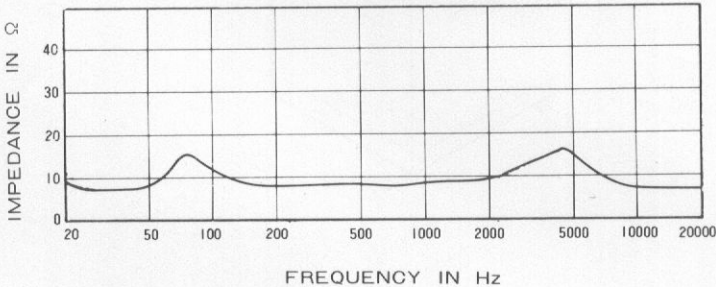
NOTE: Specifications and the design subject to possible modification without notice due to improvements.



DIRECTIONAL FREQUENCY RESPONSE

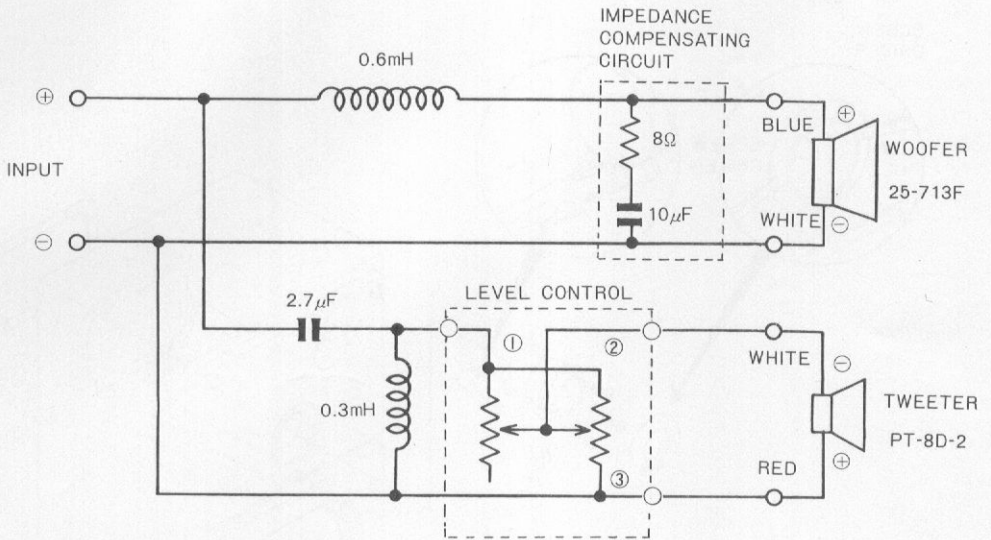


CHARACTERISTICS OF IMPEDANCE

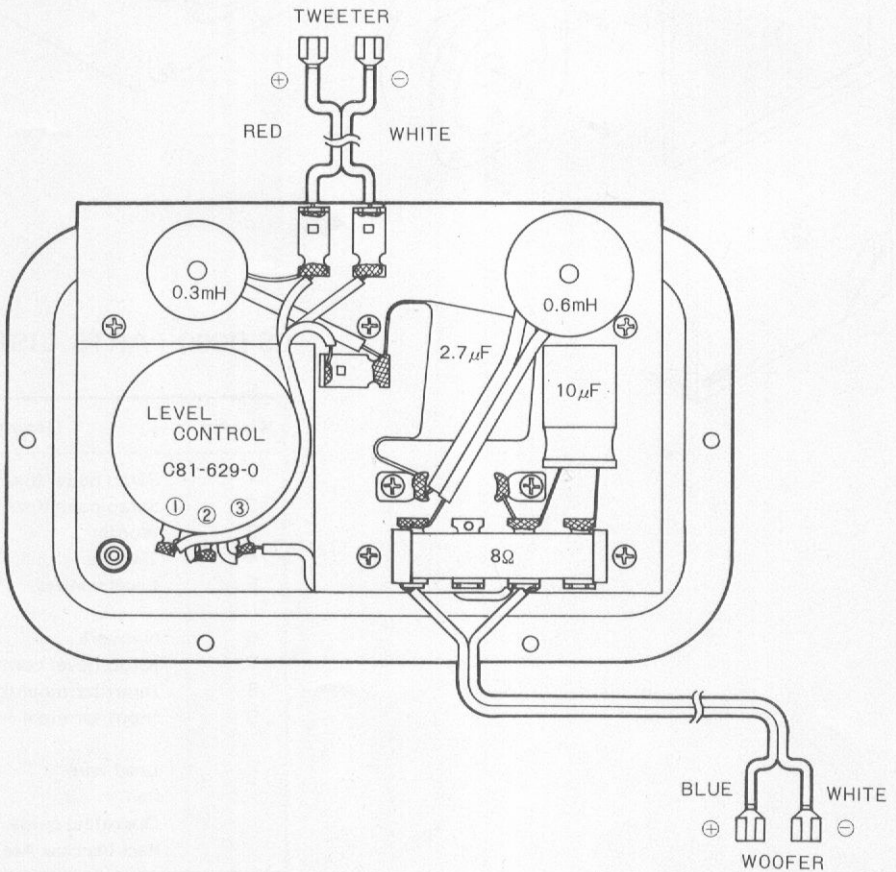


1.2 NETWORK

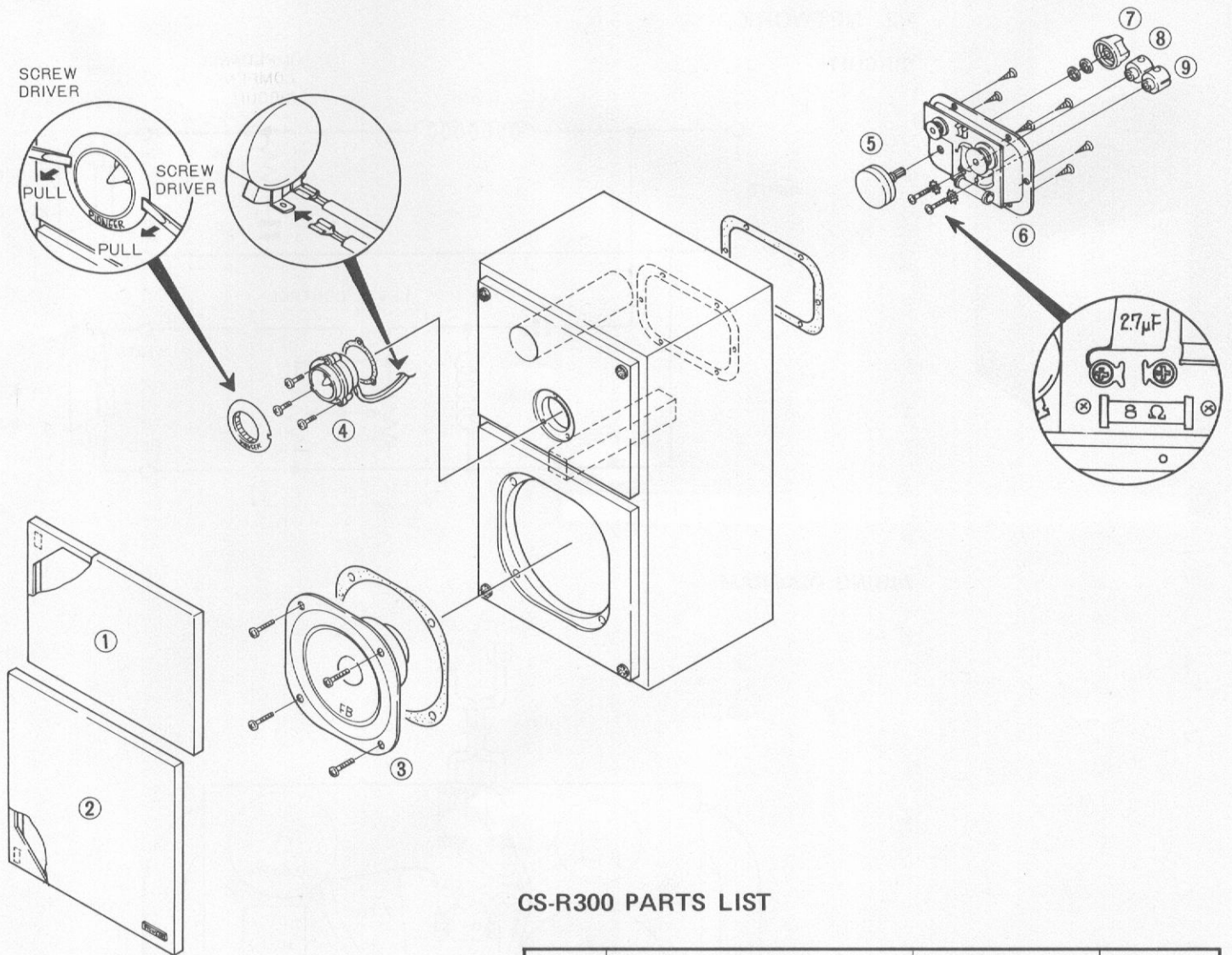
CIRCUIT



WIRING DIAGRAM



1.3 EXPLODED VIEW AND PARTS LIST



CS-R300 PARTS LIST

| Key No. | Description | Part No. |
|---------|------------------------|-----------|
| 1 | Saran panel (black) | SXB-059-0 |
| 2 | Saran panel (orange) | SXB-060-0 |
| 3 | Woofer | 25-713F |
| 4 | Tweeter | PT-8D-2 |
| 5 | Level control | CB1-629-0 |
| 6 | Network | SWN-031-A |
| 7 | Knob (level control) | A19-621-0 |
| 8 | Input terminal (blue) | K15-612-B |
| 9 | Input terminal (white) | K15-612-C |
| | Lead wire | D51-603-A |
| | Pad | E11-048-A |
| | Operating guide | SRB-035-0 |
| | Packing case Ass'y | SHK-084-0 |

